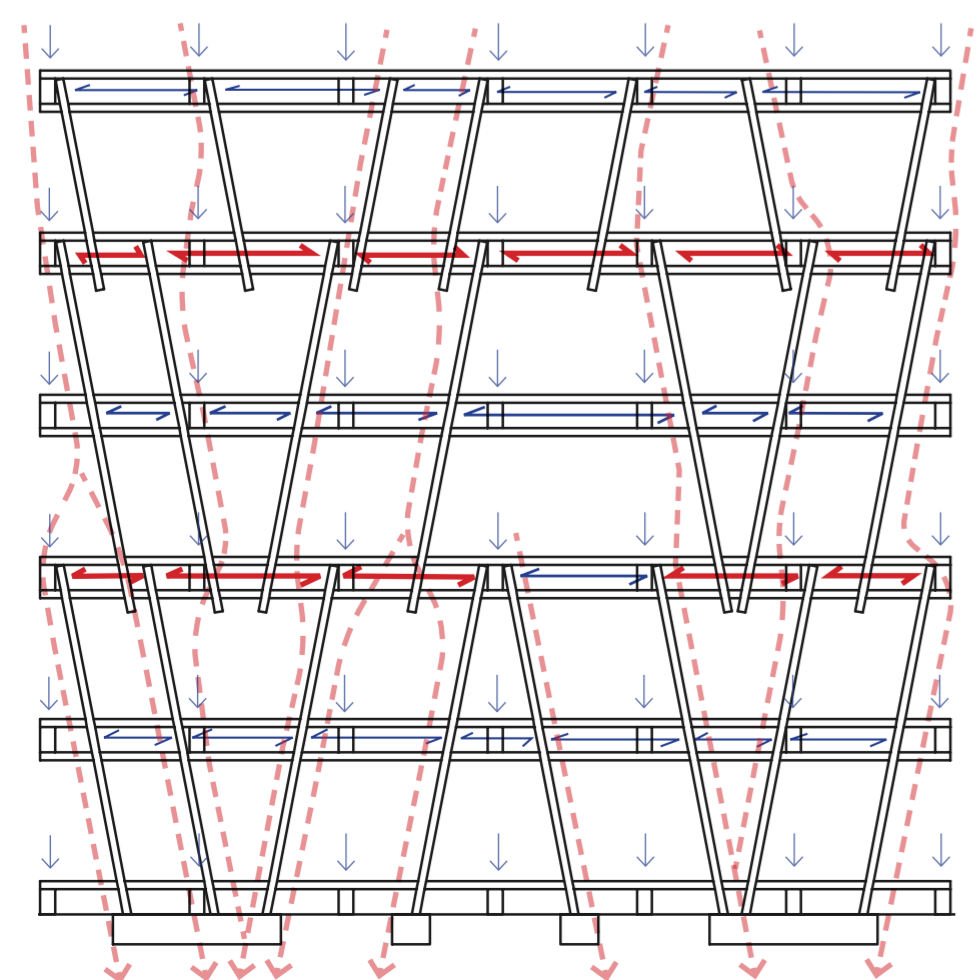
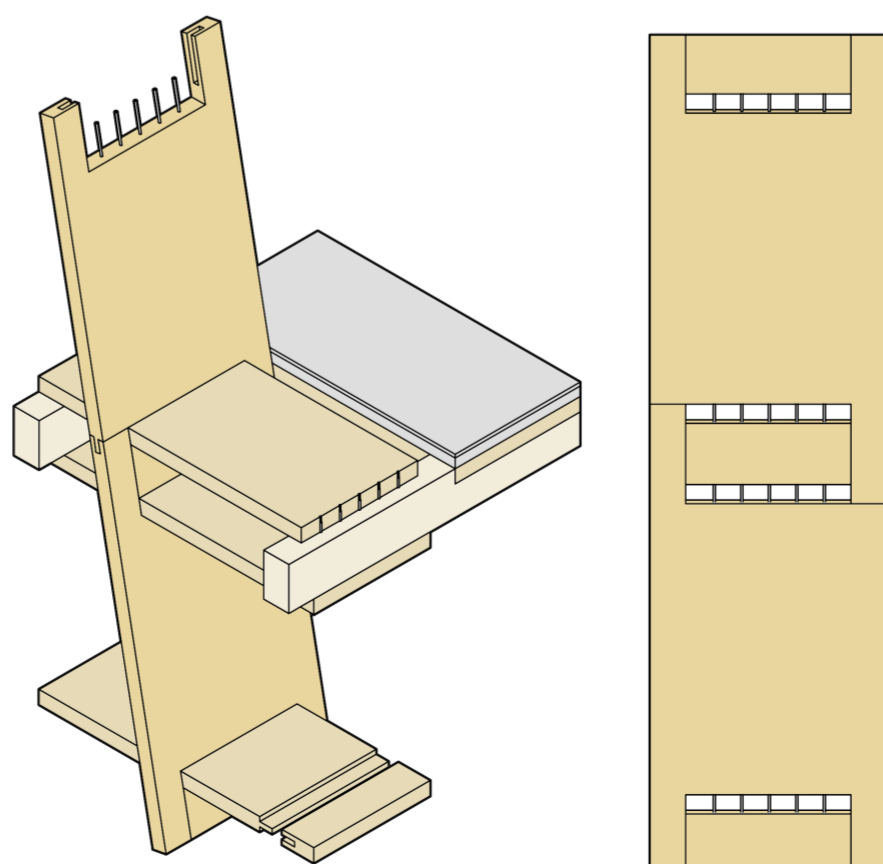


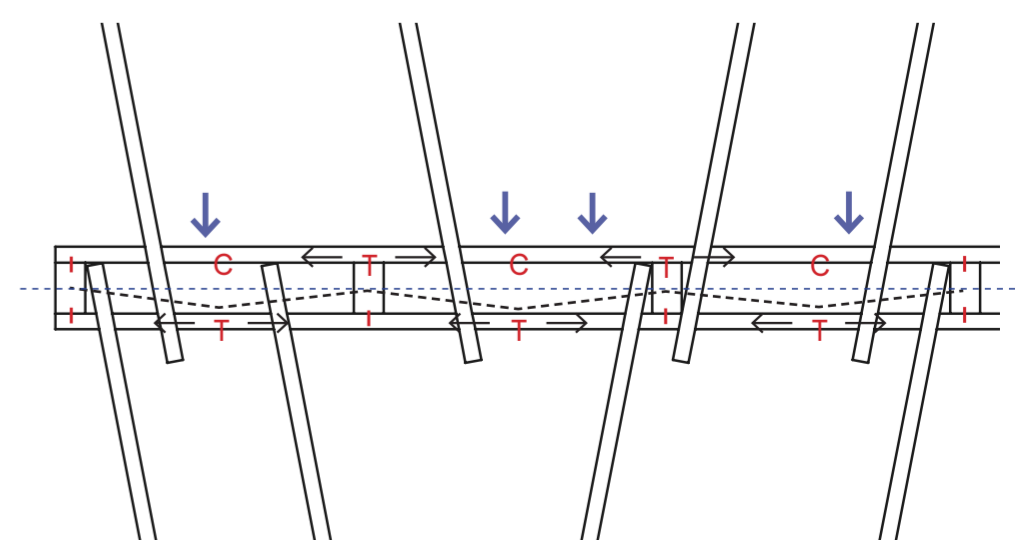
Ground Floor Plan 1:200



Structural Elevation

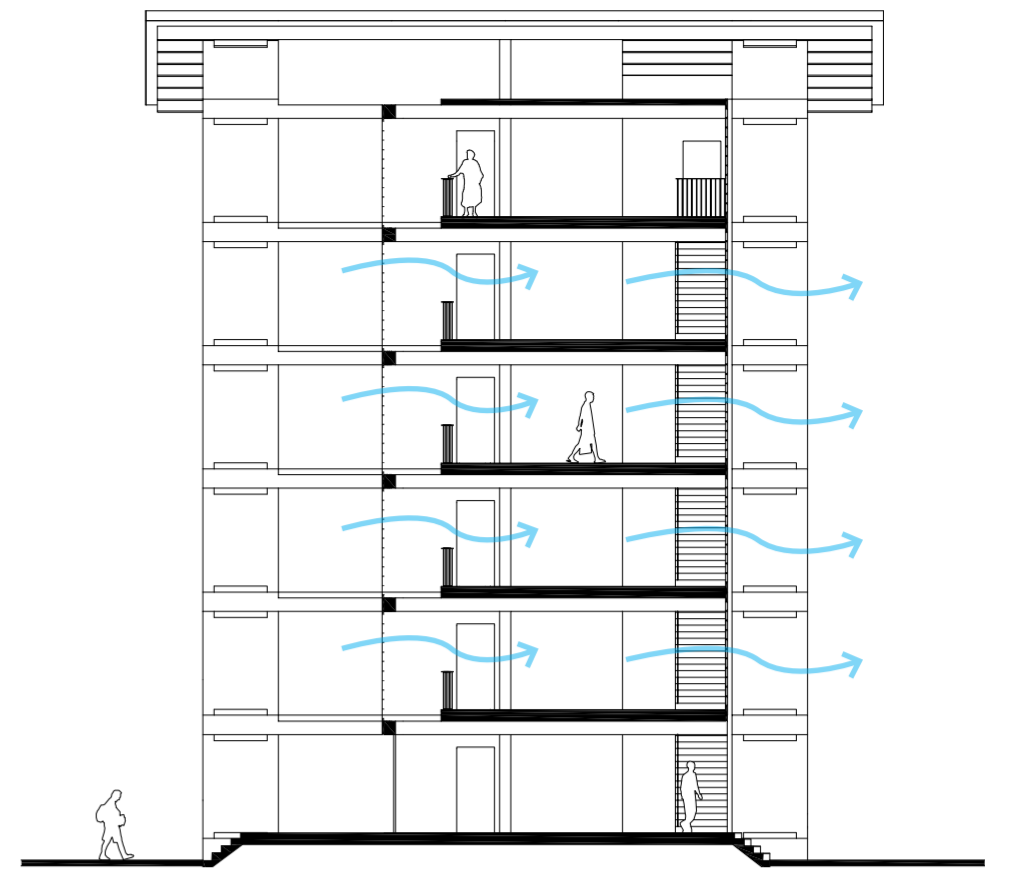
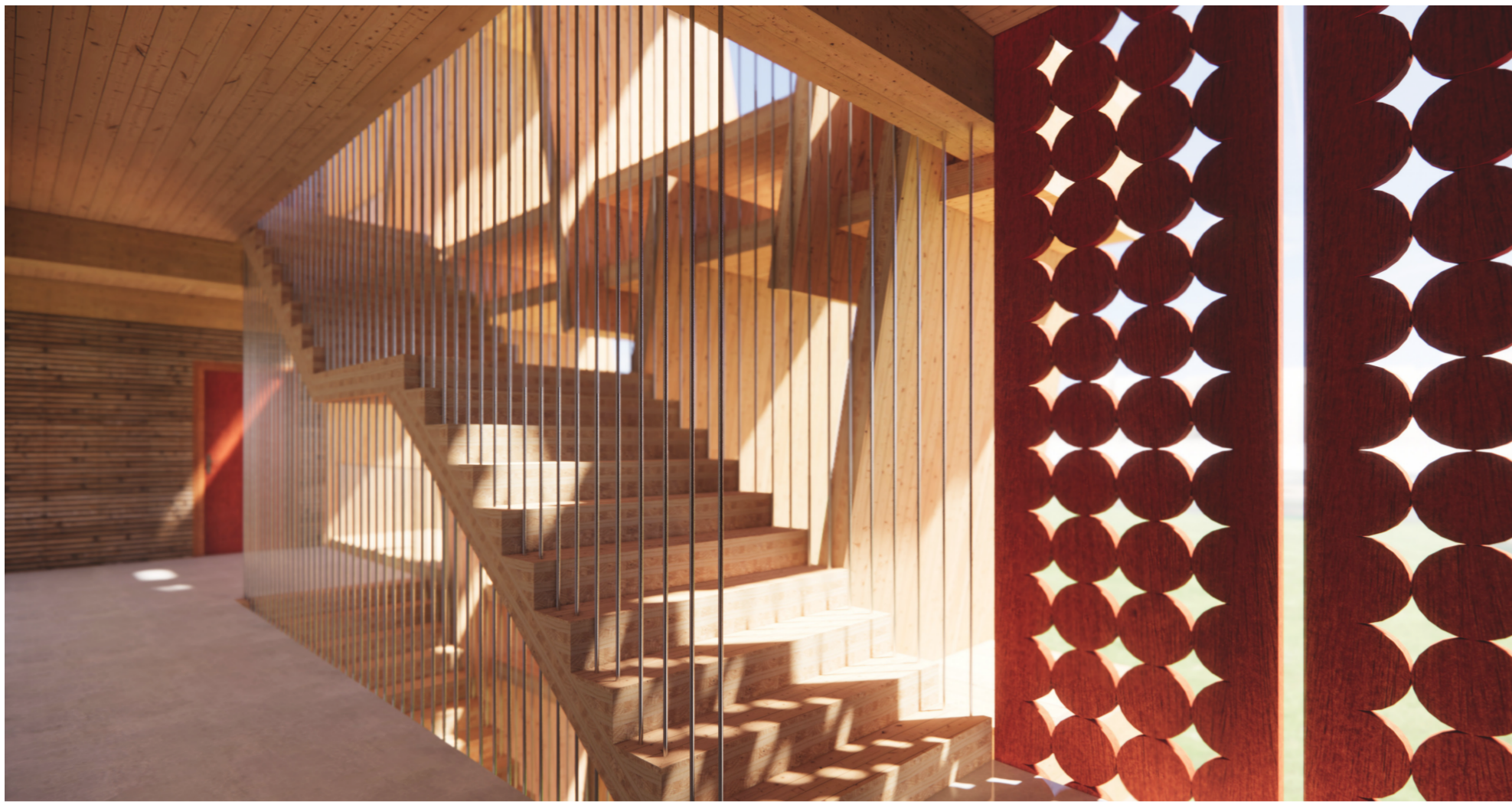


Isometric Detail Drawing

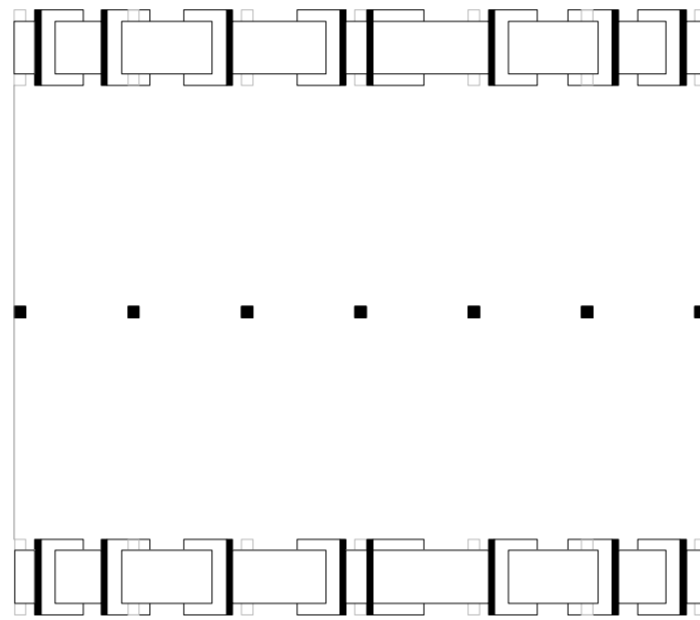
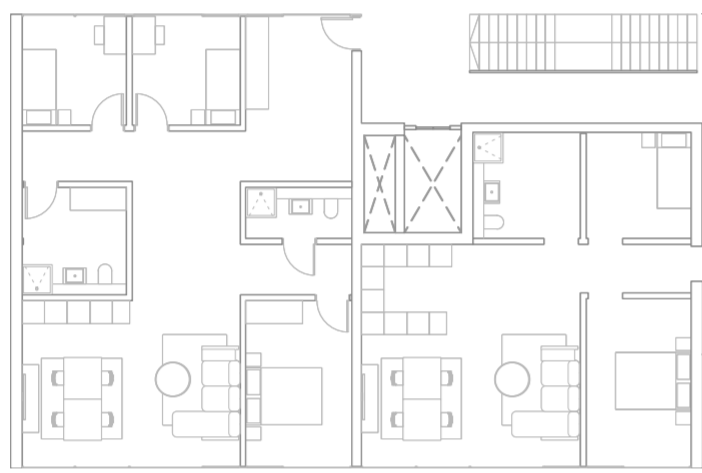


Tension and Compression



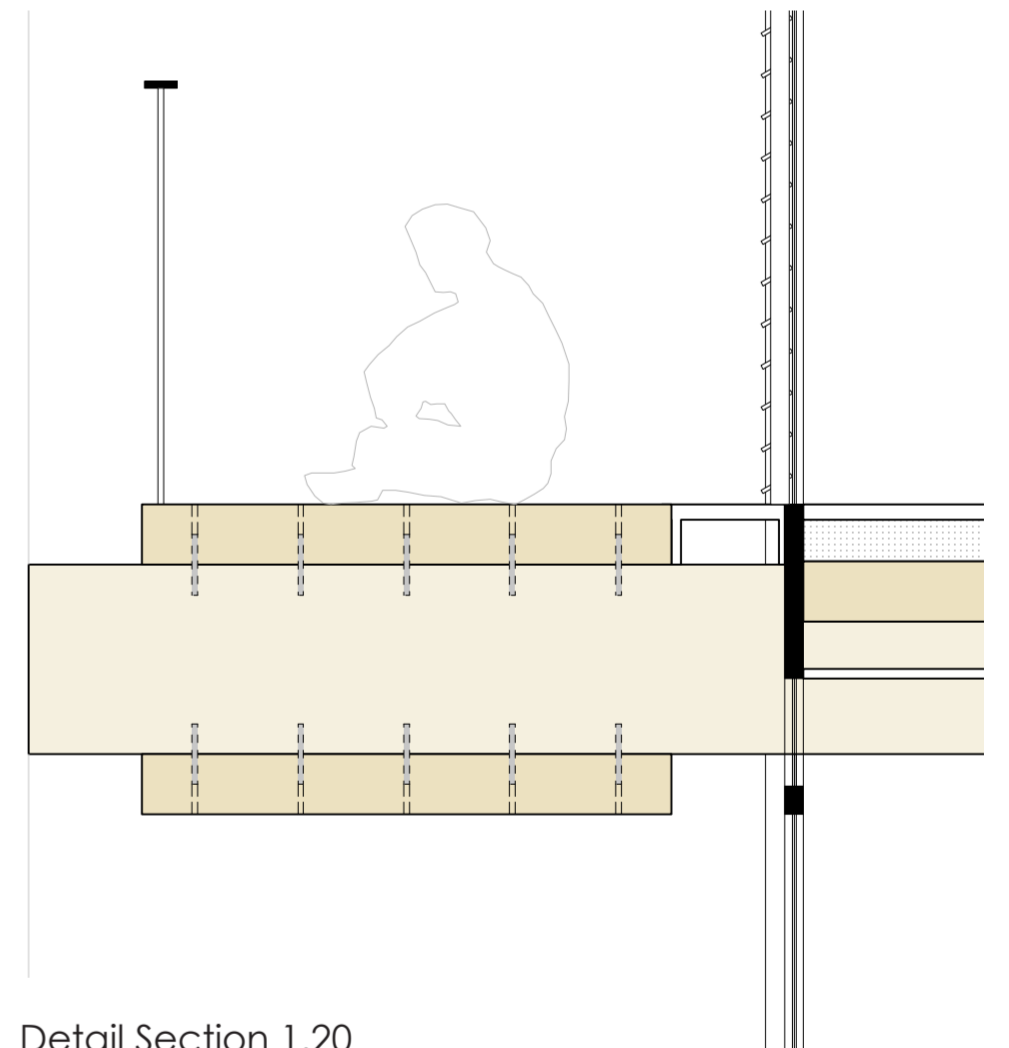


Cross Section 1.200

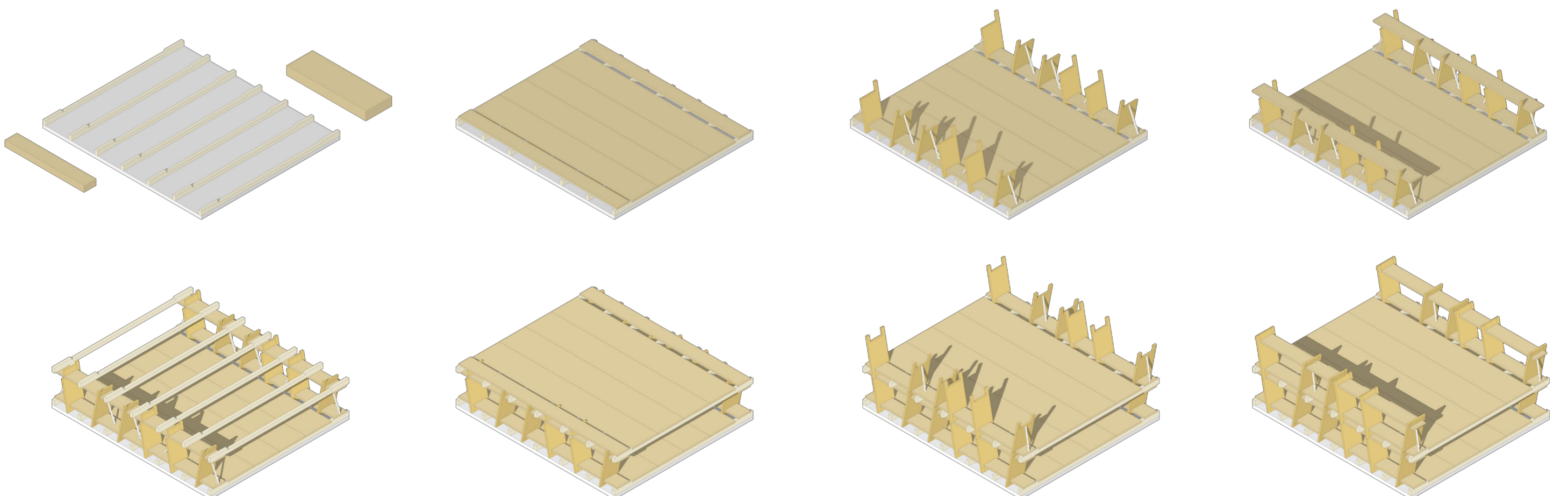


Site Plan 1.4000

Adaptable Floor Plan 1.200



Detail Section 1.20



Stages of Construction